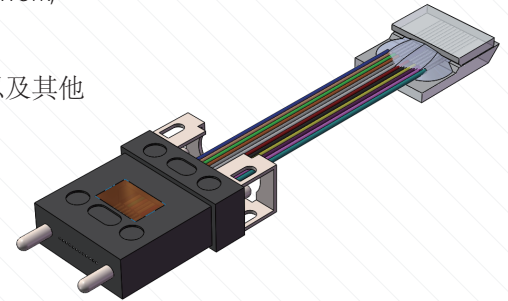


MT - Fiber Array Assembly

Passive optical interconnect jumpers can be deployed in QSFP, QSFP+, QSFP28, QSFP-DD, OSFP, CXP, CFP, CDFP and any parallel optical transceiver modules, supporting various network types, including Ethernet optical network, Infiniband optical network, and Fiber Channel network.

产品应用于QSFP、QSFP+、QSFP28、QSFP-DD、OSFP、CXP、CFP、CDFP 以及其他并行传输光收发模块中，支持200G以上各类型光模块内部微连接应用的OEM/ODM配套。



Features (特点)

GR-1435, GR-1221 compliant

Transmission mode: Multi-channel serial and parallel transmission mode

High accuracy

Support: 40G(4x10G), 100G(4x25G)

兼容GR-1435、GR-1221

传输方式：多通道并行光传输

支持：40G (4x10G)、100G (4x25G)

Coupling Mode (耦合模式)

Active coupling with light source and 0~ 45 degrees

Passive coupling with guide pins and 90 degrees

有源侧Jumper激光切割耦合，角度0~45°可定制

无源接口侧MT导针对准可实现90°转角

IL/RL Specifications (插损、回损参数)

MT IL \leq 0.60 dB typical 0.20 dB MT RL \geq 20 dB

MT插损 \leq 0.60 dB；典型插损0.20 dB；MT回损 \geq 20 dB

Environment Conditions (适用环境)

-40°C~+85°C

Specifications

Item	Specification
Connector A (接头A)	MT Ferrule with guide pin (带引针的MT插芯)
Connector B (接头B)	FA, Customized size/angle available (FA可定制尺寸/角度)
Fiber shape (光纤形状)	Ribbon/single fibers (带状/单纤)
Fiber count (纤芯数)	12F
Fiber type (光纤型号)	OM3, OM4, OS1, OS2;
Length (长度)	20~50mm, Customized length available (20-50mm可选)
Length tolerance (长度公差)	+0.3/-0mm ~ +0.5/-0mm